

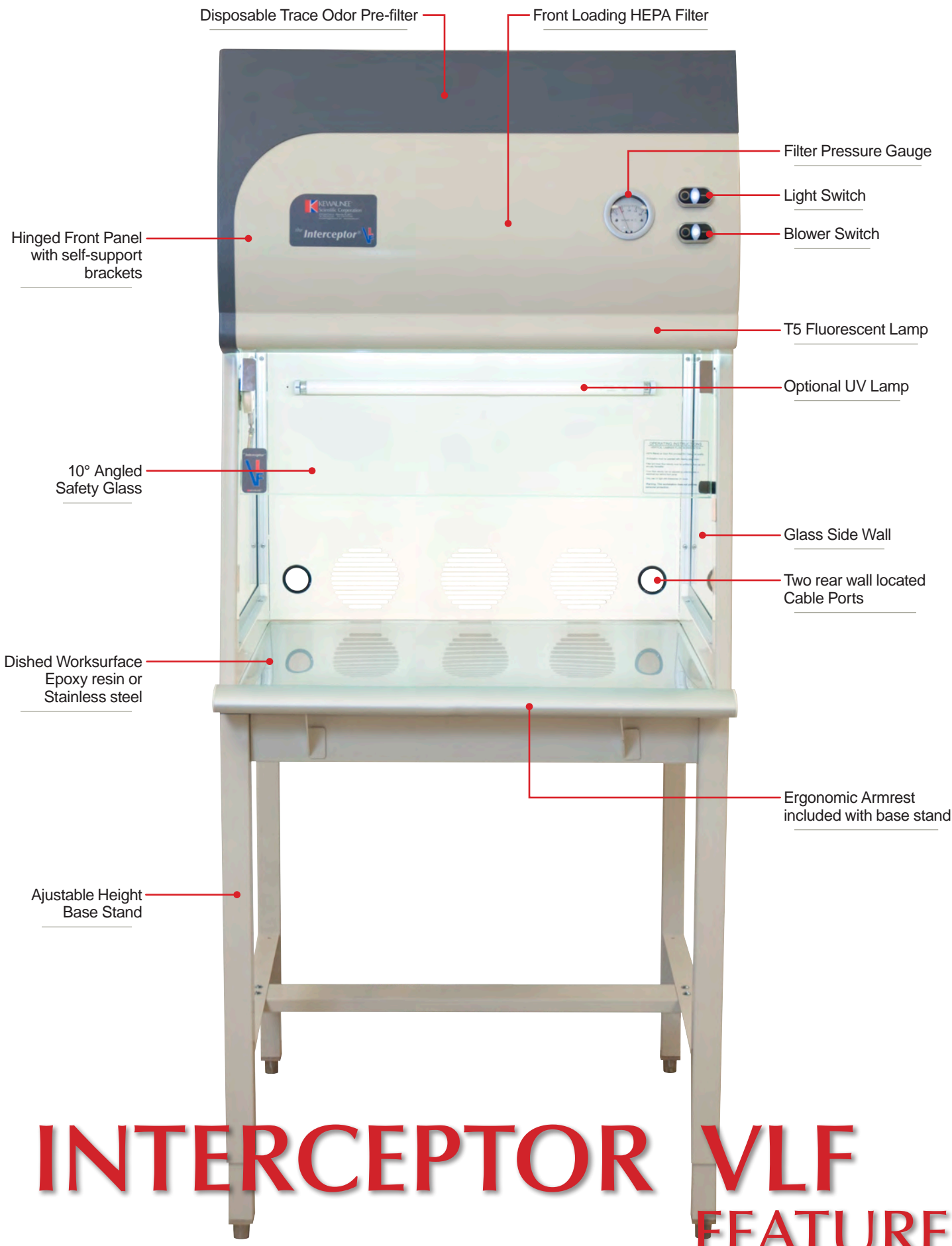
*the* **Interceptor**<sup>®</sup>



Vertical Laminar Flow  
**WORKSTATION**

**KEWAUNEE**<sup>®</sup>

*...encouraging new discovery*



Disposable Trace Odor Pre-filter

Front Loading HEPA Filter

Hinged Front Panel with self-support brackets

Filter Pressure Gauge

Light Switch

Blower Switch

T5 Fluorescent Lamp

Optional UV Lamp

10° Angled Safety Glass

Glass Side Wall

Two rear wall located Cable Ports

Dished Worksurface Epoxy resin or Stainless steel

Ergonomic Armrest included with base stand

Adjustable Height Base Stand

# INTERCEPTOR VLF FEATURES

**Interceptor® Vertical Laminar Flow Workstation — 120 VAC**

| Superstructure – Exterior Dimensions |            |            |             |                       |                   |            |
|--------------------------------------|------------|------------|-------------|-----------------------|-------------------|------------|
| Part Number                          | width (mm) | depth (mm) | height (mm) | dimensions in inches  | Down Flow         | Power Draw |
| INT-0600-VLF                         | 610        | 724        | 937         | 24" x 28.5" x 36.875" | 0.25 M/S (50 FPM) | 200 W      |
| INT-0900-VLF                         | 914        | 724        | 937         | 36" x 28.5" x 36.875" | 0.25 M/S (50 FPM) | 300 W      |
| INT-1200-VLF                         | 1219       | 724        | 937         | 48" x 28.5" x 36.875" | 0.25 M/S (50 FPM) | 300 W      |
| INT-1500-VLF                         | 1524       | 724        | 937         | 60" x 28.5" x 36.875" | 0.25 M/S (50 FPM) | 300 W      |
| INT-1800-VLF                         | 1829       | 724        | 937         | 72" x 28.5" x 36.875" | 0.25 M/S (50 FPM) | 400 W      |

**Interceptor® Vertical Laminar Flow Workstation — 230 VAC**

| Superstructure – Exterior Dimensions |            |            |             |                       |                   |            |
|--------------------------------------|------------|------------|-------------|-----------------------|-------------------|------------|
| Part Number                          | width (mm) | depth (mm) | height (mm) | dimensions in inches  | Down Flow         | Power Draw |
| INT-0600-VLF-230                     | 610        | 724        | 937         | 24" x 28.5" x 36.875" | 0.25 M/S (50 FPM) | 200 W      |
| INT-0900-VLF-230                     | 914        | 724        | 937         | 36" x 28.5" x 36.875" | 0.25 M/S (50 FPM) | 300 W      |
| INT-1200-VLF-230                     | 1219       | 724        | 937         | 48" x 28.5" x 36.875" | 0.25 M/S (50 FPM) | 300 W      |
| INT-1500-VLF-230                     | 1524       | 724        | 937         | 60" x 28.5" x 36.875" | 0.25 M/S (50 FPM) | 300 W      |
| INT-1800-VLF-230                     | 1829       | 724        | 937         | 72" x 28.5" x 36.875" | 0.25 M/S (50 FPM) | 400 W      |

**Adjustable Height Base Stand**

| Dimensions    |              |               |            |                                 |  |
|---------------|--------------|---------------|------------|---------------------------------|--|
| Part Number   | width        | depth         | height     |                                 |  |
| INT-BASE-0600 | 610mm / 24"  | 724mm / 28.5" | adjustable | 762mm – 915mm / 30.00" – 36.00" |  |
| INT-BASE-0900 | 914mm / 36"  | 724mm / 28.5" | adjustable | 762mm – 915mm / 30.00" – 36.00" |  |
| INT-BASE-1200 | 1219mm / 48" | 724mm / 28.5" | adjustable | 762mm – 915mm / 30.00" – 36.00" |  |
| INT-BASE-1500 | 1524mm / 60" | 724mm / 28.5" | adjustable | 762mm – 915mm / 30.00" – 36.00" |  |
| INT-BASE-1800 | 1829mm / 72" | 724mm / 28.5" | adjustable | 762mm – 915mm / 30.00" – 36.00" |  |

**Black Kemresin® Worksurface**

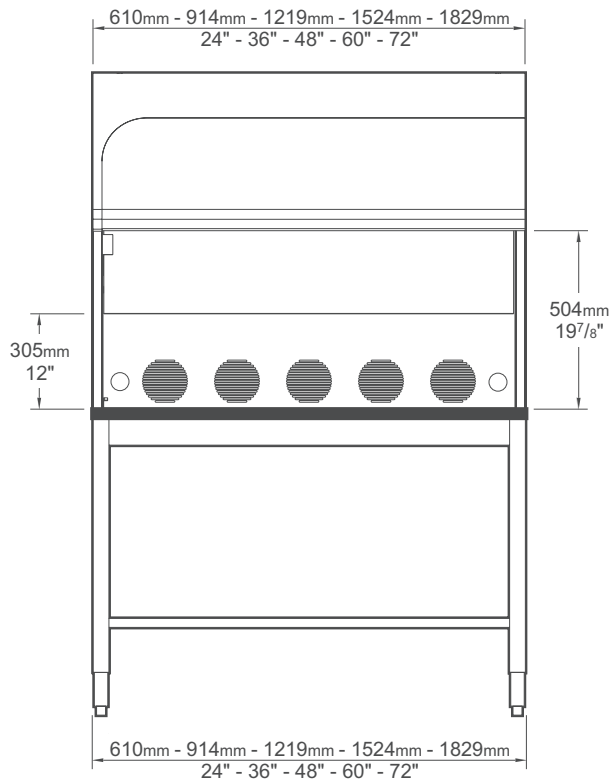
| Overall Dimensions |                 |                |              | Inside Dimensions |                |             |
|--------------------|-----------------|----------------|--------------|-------------------|----------------|-------------|
| Part Number        | width           | depth          | thickness    | width             | depth          | indent      |
| 051001-0600        | 616mm / 24.25"  | 733mm / 28.78" | 32mm / 1.25" | 559mm / 22.00"    | 651mm / 25.63" | 6mm / 0.25" |
| 051001-0900        | 921mm / 36.25"  | 733mm / 28.78" | 32mm / 1.25" | 864mm / 34.00"    | 651mm / 25.63" | 6mm / 0.25" |
| 051001-1200        | 1226mm / 48.25" | 733mm / 28.78" | 32mm / 1.25" | 1168mm / 46.00"   | 651mm / 25.63" | 6mm / 0.25" |
| 051001-1500        | 1530mm / 60.25" | 733mm / 28.78" | 32mm / 1.25" | 1473mm / 58.00"   | 651mm / 25.63" | 6mm / 0.25" |
| 051001-1800        | 1835mm / 72.25" | 733mm / 28.78" | 32mm / 1.25" | 1778mm / 70.00"   | 651mm / 25.63" | 6mm / 0.25" |

**Optional Accessories**

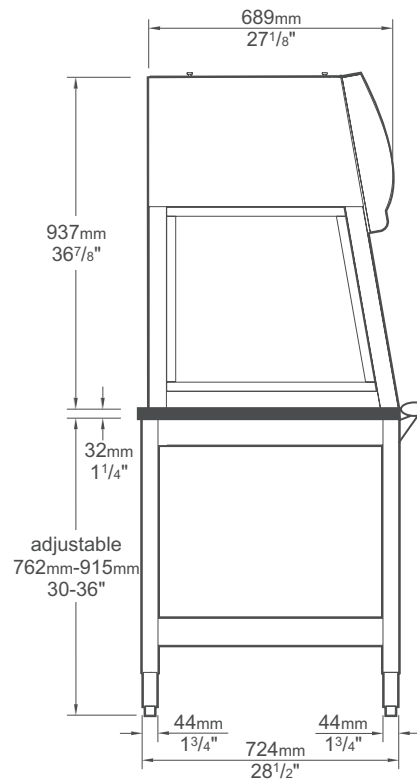
| Options          | Product Description                                     |
|------------------|---|
| INT-CASTER       | Heavy Duty Caster - 5" High (Set of 4)                  |
| INT-FOOTREST     | Adjustable Footrest - (3" to 11")                       |
| INT-IV-POLE-0600 | IV Pole for INT-0600-VLF & INT-0600-VLF-230             |
| INT-IV-POLE-0900 | IV Pole for INT-0900-VLF & INT-0900-VLF-230             |
| INT-IV-POLE-1200 | IV Pole for INT-1200-VLF & INT-1200-VLF-230             |
| INT-IV-POLE-1500 | IV Pole for INT-1500-VLF & INT-1500-VLF-230             |
| INT-IV-POLE-1800 | IV Pole for INT-1800-VLF & INT-1800-VLF-230             |
| INT-UV-VLF-0600  | UV Germicidal Light for INT-0600-VLF & INT-0600-VLF-230 |
| INT-UV-VLF-0900  | UV Germicidal Light for INT-0900-VLF & INT-0900-VLF-230 |
| INT-UV-VLF-1200  | UV Germicidal Light for INT-1200-VLF & INT-1200-VLF-230 |
| INT-UV-VLF-1500  | UV Germicidal Light for INT-1500-VLF & INT-1500-VLF-230 |
| INT-UV-VLF-1800  | UV Germicidal Light for INT-1800-VLF & INT-1800-VLF-230 |

# INTERCEPTOR VLF

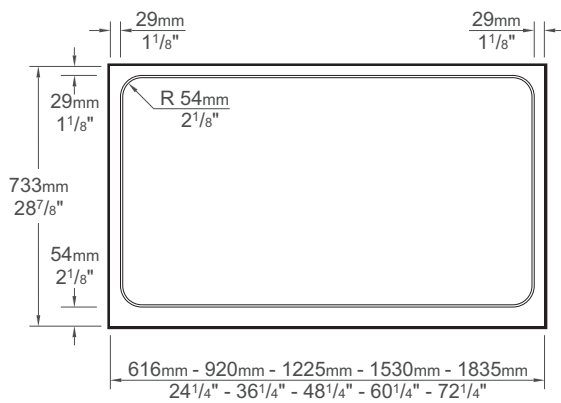
## TECHNICAL INFORMATION



Front Elevation



End Elevation



Plan of Worksurface



P.O. Box 1842 • Statesville, NC 28687-1842  
Phone: 704-873-7202 • Fax: 704-873-5160  
Email: [kscmarketing@kewaunee.com](mailto:kscmarketing@kewaunee.com)  
Website: [www.kewaunee.com](http://www.kewaunee.com)